

REVOLVED

MATERIALS

Bin: black textured finish epoxy coated steel

Ring: black plastic floor protection ring

MODELS

Revolved L

- L 1
- L 2
- L 3
- L 1 tumble lid
- L 1 flame retardant
- L 1 open top

Revolved XL

- XL 1
- XL 2
- XL 3

Revolved waste bin

Revolved umbrella bin

3D-FILES AND HR-IMAGES

www.van-esch.com/en/downloads

REVOLVED L



L 1

Capacity: 70L
Weight: 4,9 kg



L 2

Capacity: 35+35L
Weight: 4,9 kg



L 3

Capacity: 15+15+40L
Weight: 4,9 kg



L 1 tumble lid

Capacity: 70L
Weight: 4,9 kg



L 1 flame retardant

Capacity: 75L
Weight: 7,5 kg

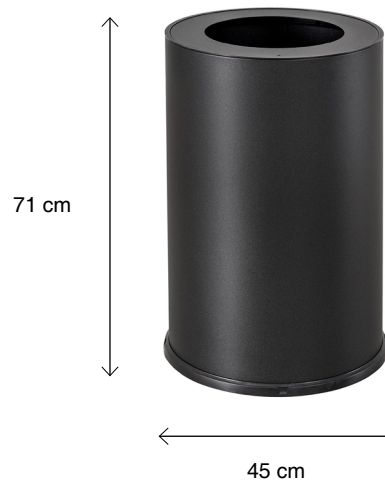


L 1 open top

Capacity: 70L
Weight: 5,5 kg

16 cm

REVOLVED XL



XL 1

Capacity: 100L
Weight: 6,5 kg



XL 2

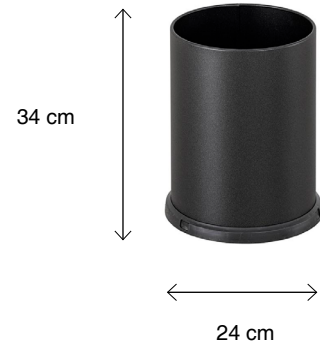
Capacity: 50+50L
Weight: 6,5 kg



XL 3

Capacity: 33+33+33L
Weight: 6,5 kg

REVOLVED WASTE BIN



waste bin
Capacity: 15L
Weight: 1,8 kg

REVOLVED UMBRELLA BIN



umbrella bin
Weight: 2,5 kg
Including: Drip tray

REVOLVED WASTE STREAM STICKERS



Organic waste



Paper



Plastic



Waste