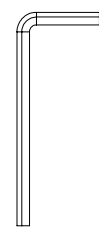


1x



1x



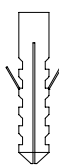
1x



4x



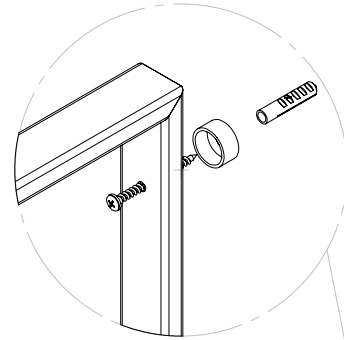
2x



2x



2x



Fixation to the wall is recommended

